

Introducing
Low Profile Micro
MATE-N-LOK
Connector System

Low Profile Micro MATE-N-LOK Connector System

KEY FEATURES

- Less than 4.7 mm in vertical height required
- Right angle surface mount headers with surface mount hold-downs
- Positive latching to prevent unmating
- 2, 3, and 4 positions available
- Black and natural colors available
- Utilizes standard Micro MATE-N-LOK contacts with 24-20 and 30-26 AWG wire ranges

DESCRIPTION

The Low Profile Micro MATE-N-LOK connector system features an ultra-slim design with the reliability and performance of the Micro MATE-N-LOK line of connectors

APPLICATIONS

Ideal for LED Lighting applications

ELECTRICAL

Current Rating: 5Amp (20 AWG)

Voltage Rating: 250 VAC

MATERIALS

Phosphor bronze, pre-tin or gold plated contacts

Nylon UL 94V-0 receptacle housings

High temperature nylon headers

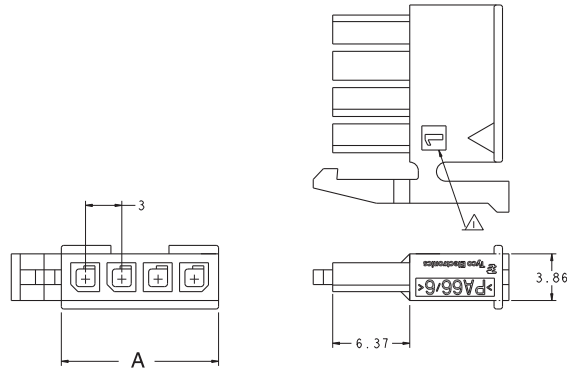
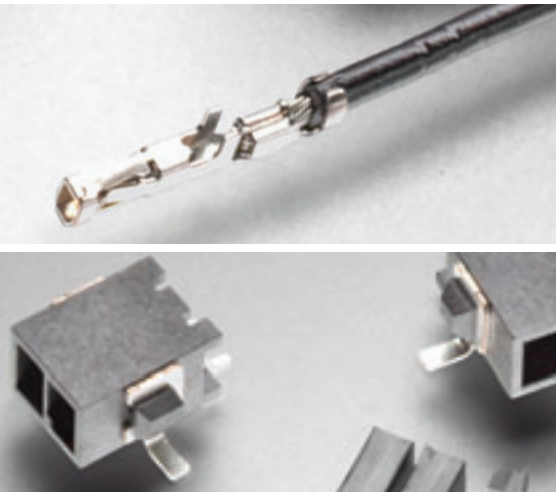
STANDARDS AND SPECS

Product Spec: 108-1836

Application Spec: 114-13000

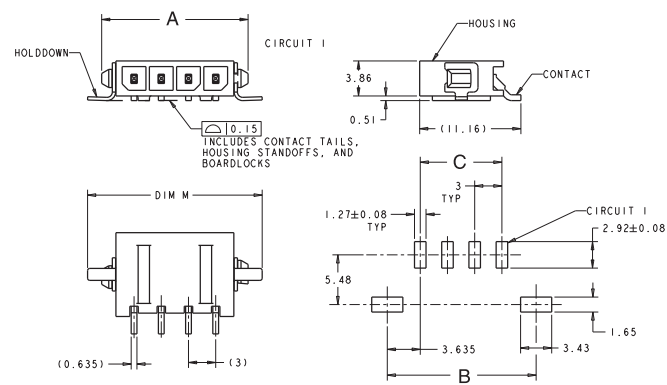
Low Profile Micro MATE-N-LOK Connector System

LOW PROFILE RECEPTACLE HOUSINGS



Positions	Color	Dimension A (in [mm])	Part Number
2	Black	.276 [7]	2029047-2
3	Black	.394 [10]	2029047-3
4	Black	.512 [13]	2029047-4
2	Natural	.276 [7]	2029102-2
3	Natural	.394 [10]	2029102-3
4	Natural	.512 [13]	2029102-4

LOW PROFILE RIGHT ANGLE SURFACE MOUNT HEADERS



Positions	Color	Dimension (in [mm])			Part Number
		A	B	C	
2	Black	.394 [10]	.410 [10.4]	.118 [3]	2029030-2
3	Black	.512 [13]	.528 [13.4]	.263 [6]	2029030-3
4	Black	.630 [16]	.646 [16.4]	.354 [9]	2029030-4
2	Natural	.394 [10]	.410 [10.4]	.118 [3]	2029104-2
3	Natural	.512 [13]	.528 [13.4]	.263 [6]	2029104-3
4	Natural	.630 [16]	.646 [16.4]	.354 [9]	2029104-4

FOR MORE INFORMATION

Technical Support

Internet: www.tycoelectronics.com
E-mail: newproducts@tycoelectronics.com
USA: 1-800-522-6752
Canada: 1-905-470-4425
Mexico: 1-800-733-8926
C. America: 52-55-1106-0803
South America: 55-11-2103-6000
Hong Kong: 852-2735-1628
Japan: 81-44-844-8013
UK: 44-8706-080208

Tyco Electronics Corporation
Harrisburg, PA

tycoelectronics.com

Copyright 2008 Tyco Electronics Corporation
8-1773450-8 - 5k -MS/FP 05/08
MATE-N-LOK, TE logo and Tyco Electronics are trademarks.

 **Tyco Electronics**
Our commitment. Your advantage.